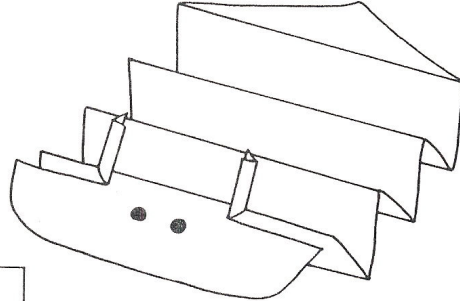
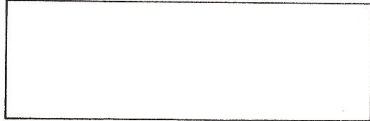


Caterpillar



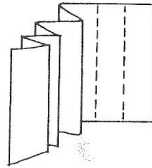
Materials:

Use a strip of 2" x 5" (5 x 13cm) paper. Color is optional. Students may wish to use white paper and add stripes and dots to create their own unusual species of caterpillar.

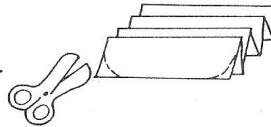


Steps to follow:

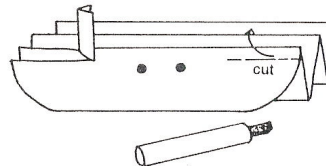
1. Accordion fold the paper.



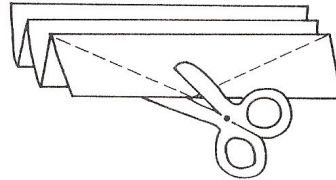
2. Round one end of the strip for the head.



3. Hold the first fold.
Cut two small slits for antennae.
Fold them up. Add eyes with felt pen, paper scraps, or black beans.



4. Cut the last segment to a point.



Uses:

- Pin these little friends to large leaves on a bulletin board. Use this board to list science facts about caterpillars or as a place to display student poems and short stories about nature.
- Glue caterpillars to student's individual paper gardens. Cut three dimensional flowers and leaves from construction paper.
- Tape each student's caterpillar to his/her shoulder as a "listening companion" for the day.